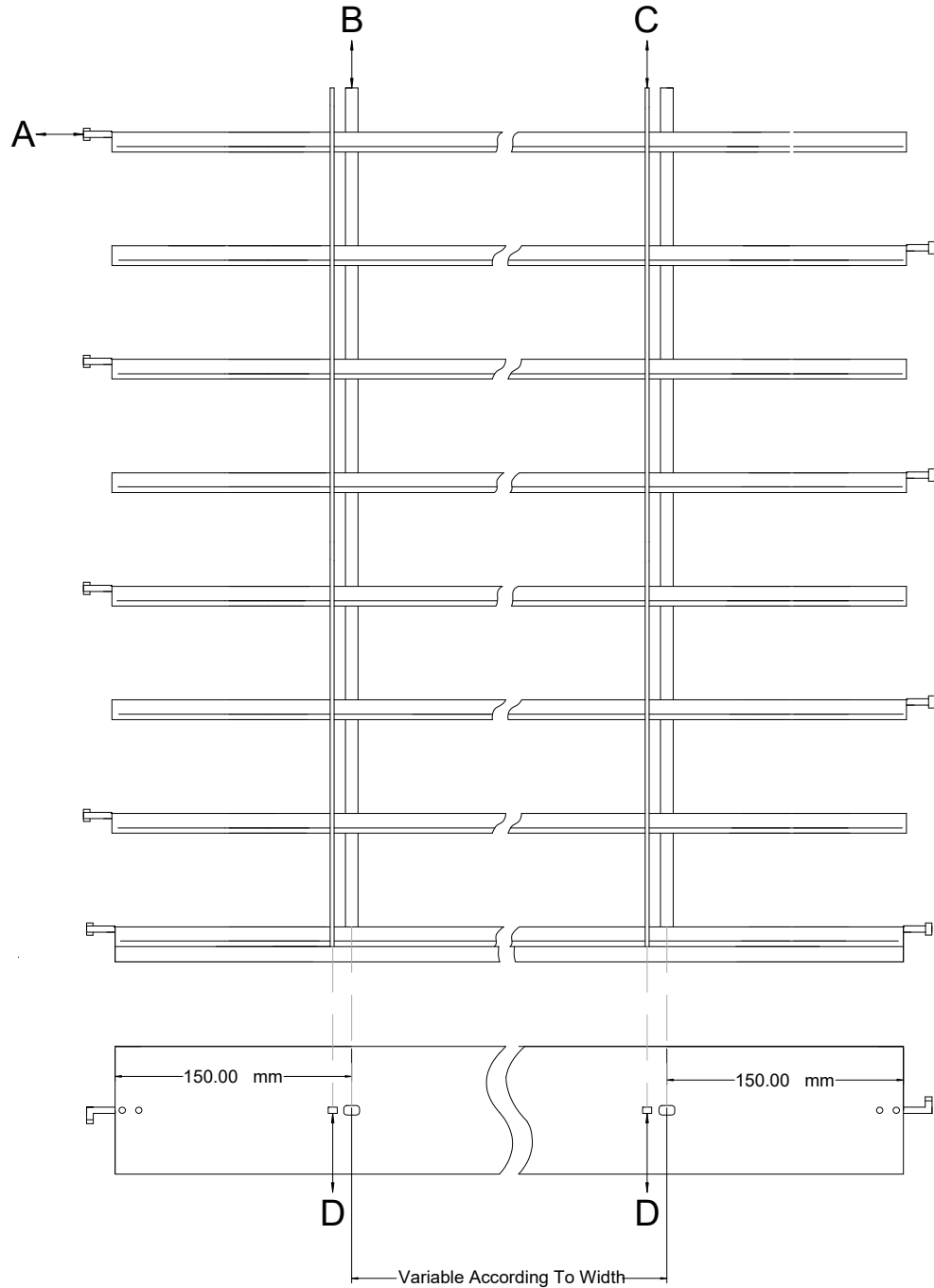


1.2 - EV80 Type 2



A - ALTERNATING SLAT PINS FOR CHANNEL GUIDES

B - TEXBAND LIFT TAPE

C - KEVLAR REINFORCED ARAMID LADDER BRAID

D - OMEGA LADDER LOCKING POINT

