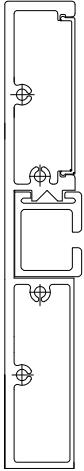
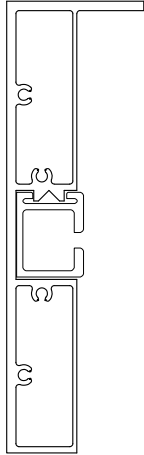


1.7 EV80 Guide Types - Overview

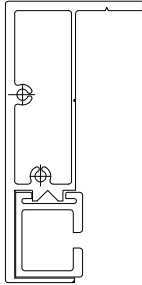
CHANNEL
TYPE G



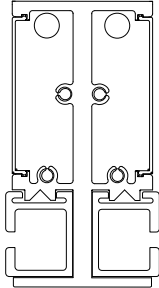
CHANNEL
TYPE E



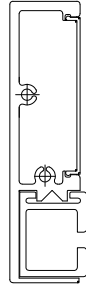
CHANNEL
TYPE C



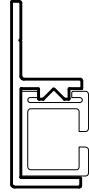
CHANNEL
TYPE D2



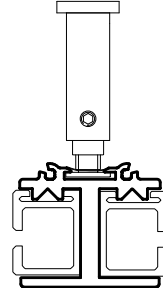
CHANNEL
TYPE D



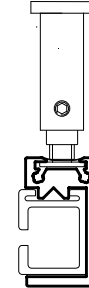
CHANNEL
TYPE B



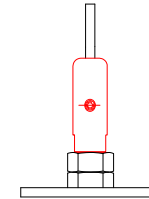
CHANNEL
TYPE A2



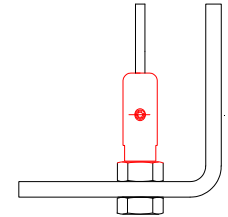
CHANNEL
TYPE A



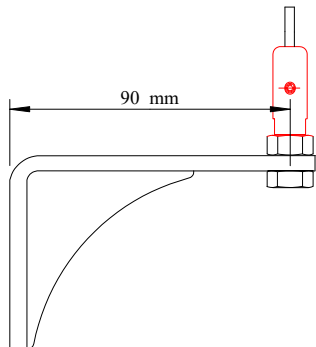
WIRE GUIDE
CONCRETE
PLATE



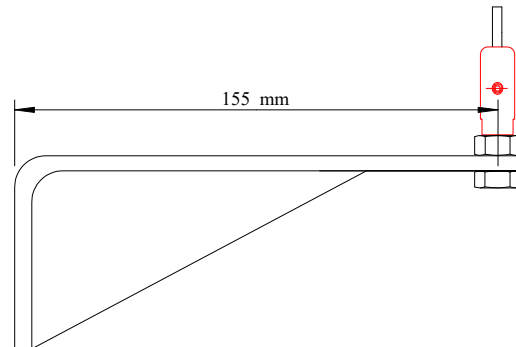
WIRE GUIDE
SIDE FIX
STANDOFF



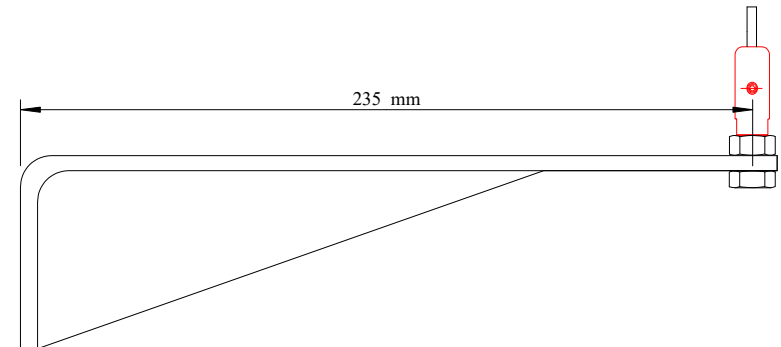
WIRE GUIDE
STANDOFF
90MM PROJECTION



WIRE GUIDE
STANDOFF
155MM PROJECTION



WIRE GUIDE
STANDOFF
235MM PROJECTION



** All channels are configured with solid PVC inner guide inserts

Dimension for all guides can be found within the technical drawing pages

Evaya Wire Tensioner - Electro Polished 304 Stainless Steel

